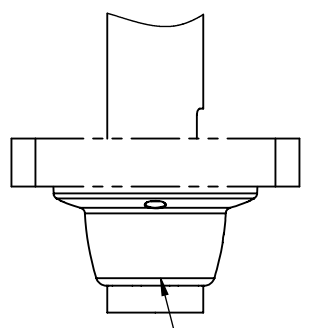
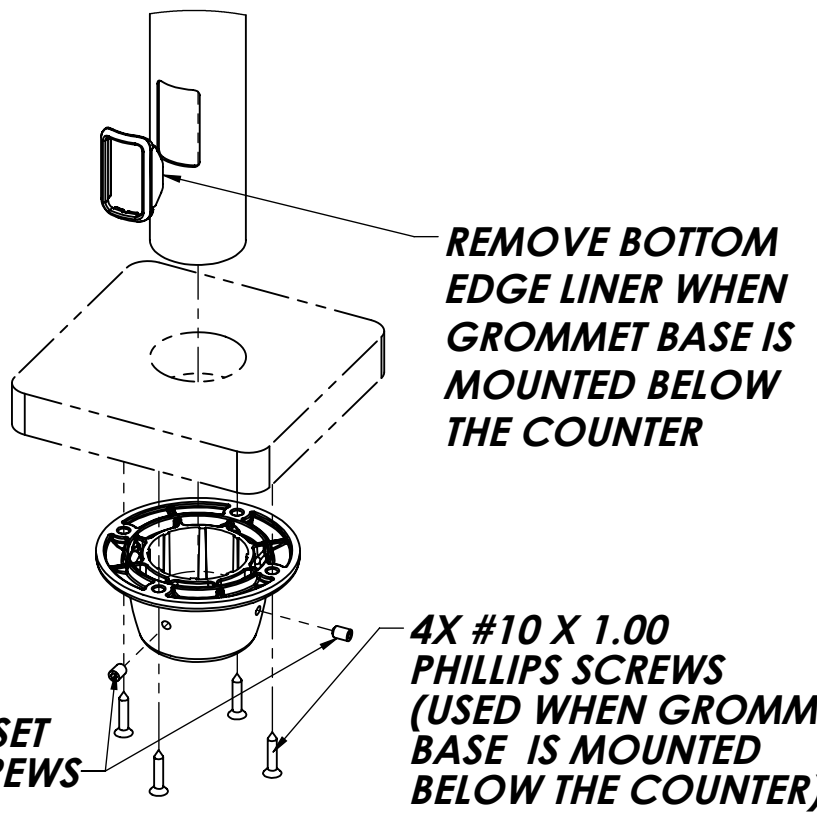
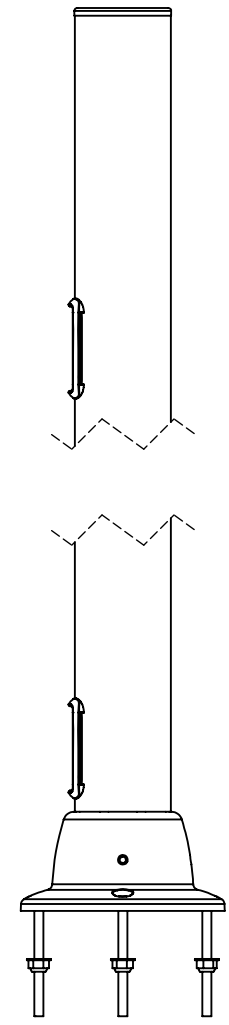
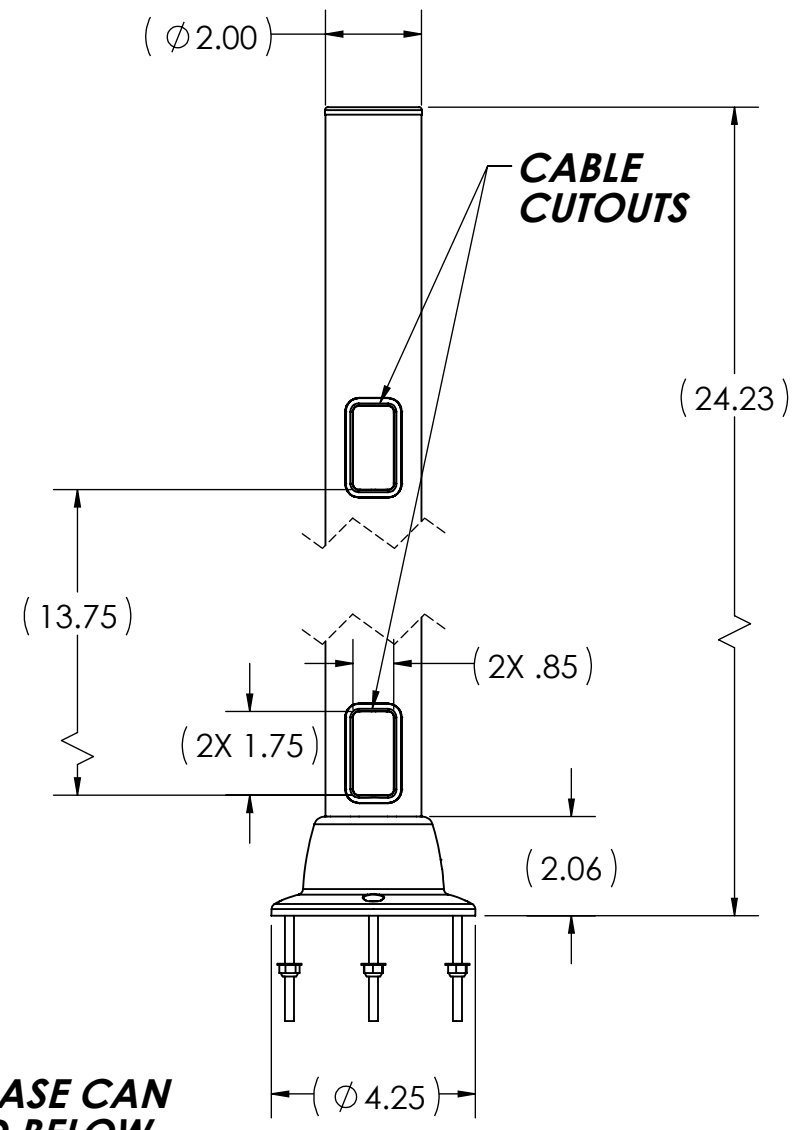
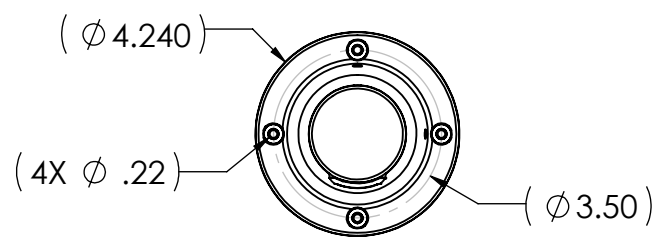
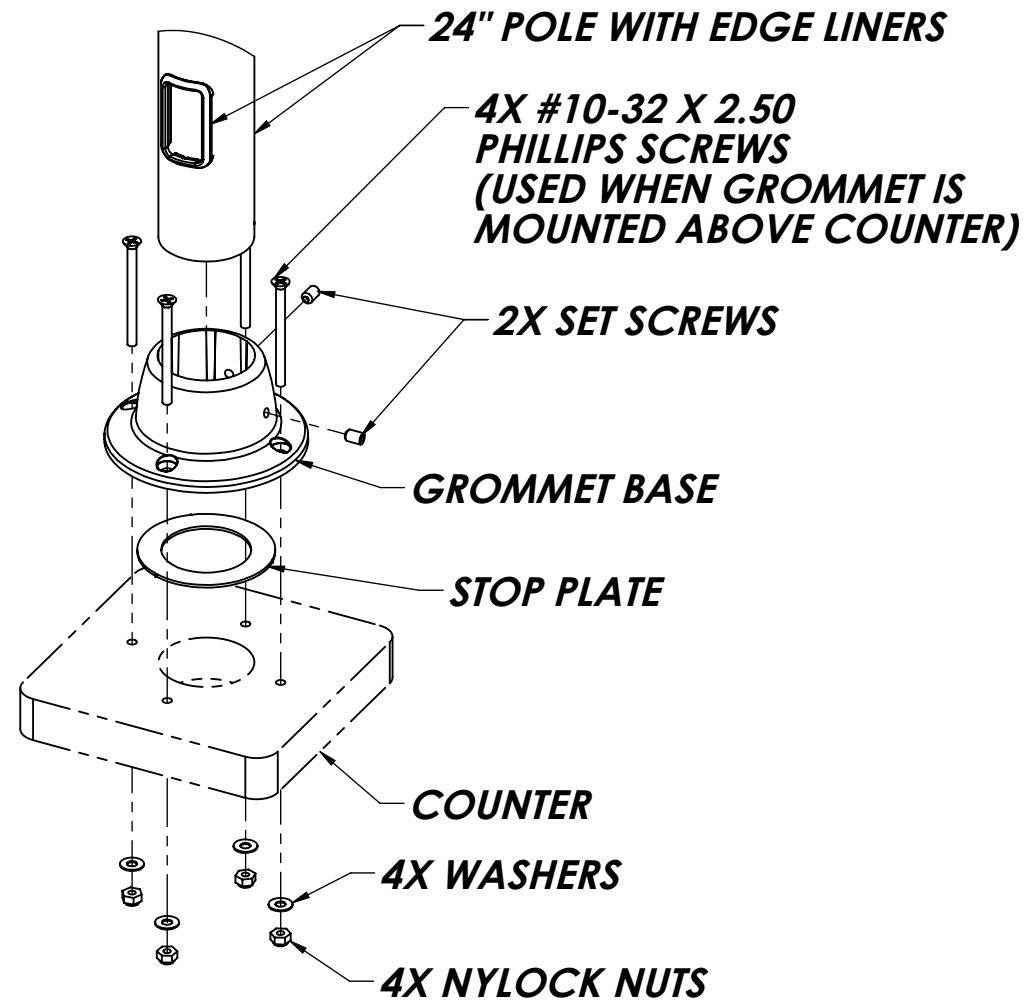


D  
C  
B  
A

D  
C  
B  
A



**CUSTOMER VERIFICATION AND AUTHORIZATION**

A	RELEASED FOR PROTOTYPE	09/23/15	JEB	JEB
REV.	DESCRIPTION	DATE	BY	CHK'D
DRAWN	J. BROWN			
DATE	09/23/2015			
CUSTOMER APPROVAL (SIGNATURE REQUIRED):				
DATE				
TITLE		TECHTOWER, GROMMET MOUNT BASE, 24" POLE WITH EDGE LINERS		
SIZE	B	DWG. NO.	367-4005-11	REV. A
				SHEET 1 OF 1

THE INFORMATION CONTAINED IN THIS DRAWING IS THE SOLE PROPERTY OF ENGINEERED NETWORK SYSTEMS AND REPRODUCTION IN PART OR IN WHOLE WITHOUT THE WRITTEN PERMISSION OF ENGINEERED NETWORK SYSTEMS IS PROHIBITED.